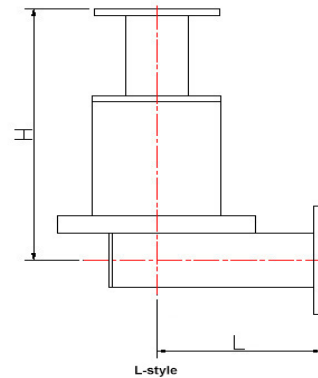


Waveguide Rotary Joint

➤ Waveguide Single Channel Rotary Joint

Rotary Joints (rotary couplers) are used to transmit microwave energy from stationary lines to rotating lines. The rotary joint is an electro-mechanical device with RF performance dependent upon rigorous electrical and mechanical design. Available styles are defined by physical geometry as follows: I- style, II- L-style, III- U-style. Please call us and discuss your special needs with one of our sales engineers.

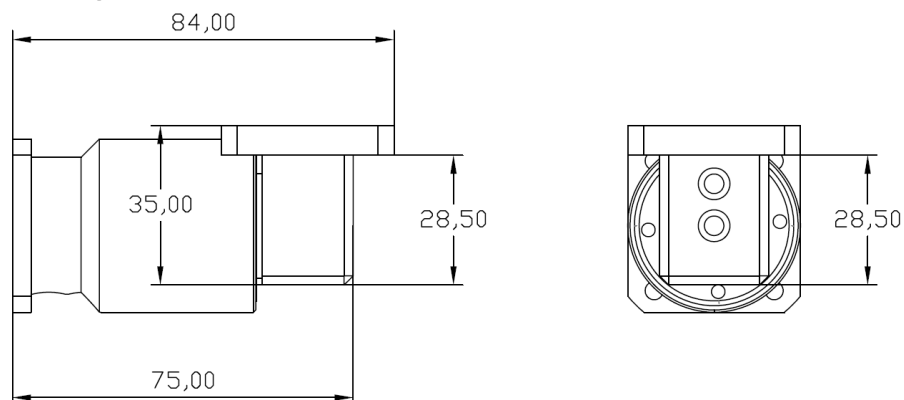


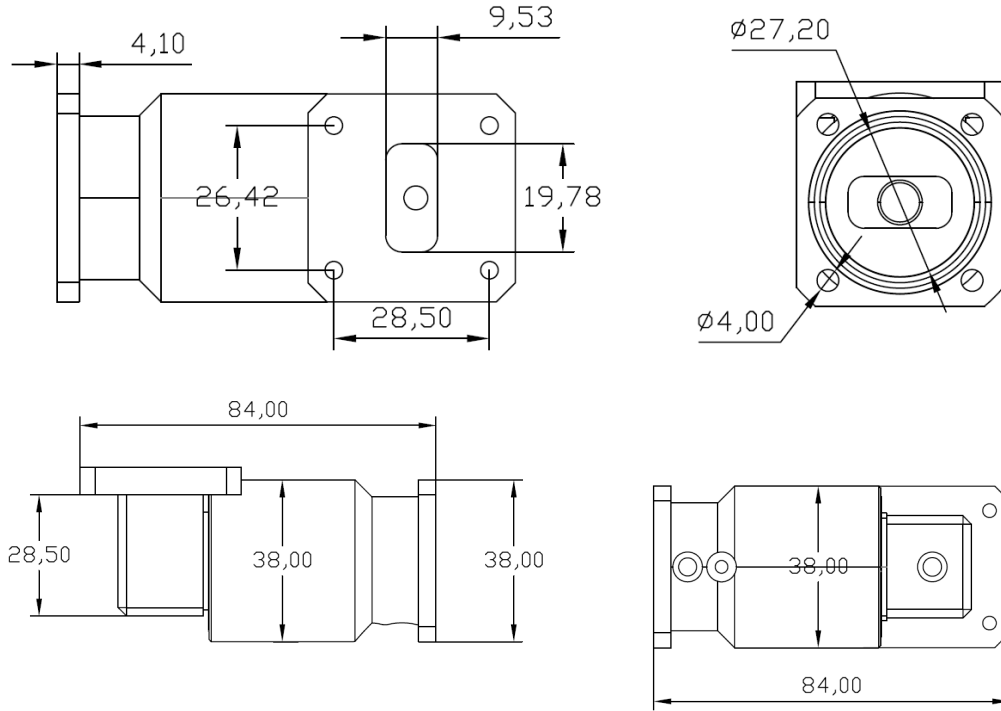
WR75 Waveguide Rotary Joint

Model	DH-120WHPRJL10.7T14.5PMA750
Frequency Range	10.7-14.5 GHz
Operating Bandwidth	Full bandwidth
VSWR (Max)	1.2:1
VSWR WOW	0.05
Insertion Loss (Max)	0.2 dB
Insertion loss WOW	0.1 dB
Peak Power	5 KW
Average Power	750 W, CW

Phase variation over rotation	$\pm 1^\circ$
Rotating speed	150/100 rpm
Torque (min/max)	0.20 Nm (@ 60°C) / 0.25 Nm (@ 20°C) / 1.5 Nm (@ -30 °C) @ start-up 0.15 Nm (@ 60°C) / 0.20 Nm (@ 20°C) / 1.0 Nm (@ -30 °C) @ rotation
Interface loads, max.	± 15 N in axial direction ± 15 N in radial direction
Life	20*10 ⁶ revolutions
Waveguide Type	WR75
Style	L style
Flange	FBP120 (Cover)/ FBM120 (Grooved)
Material	Al
Inside Finish	Chromate conversion coat per MIL-DTL-5541 type 1 or type 2
Outside Finish	No Paint
Temperature Range	-40°C ~ +71°C
Humidity	95% RH
Pressure	30 PSIG
Leakage Rate	10 cm ³ /min
IP Protection Level	IP65
Weight, approx..	0.23 kg

Outline Drawing





Typical Performance

