

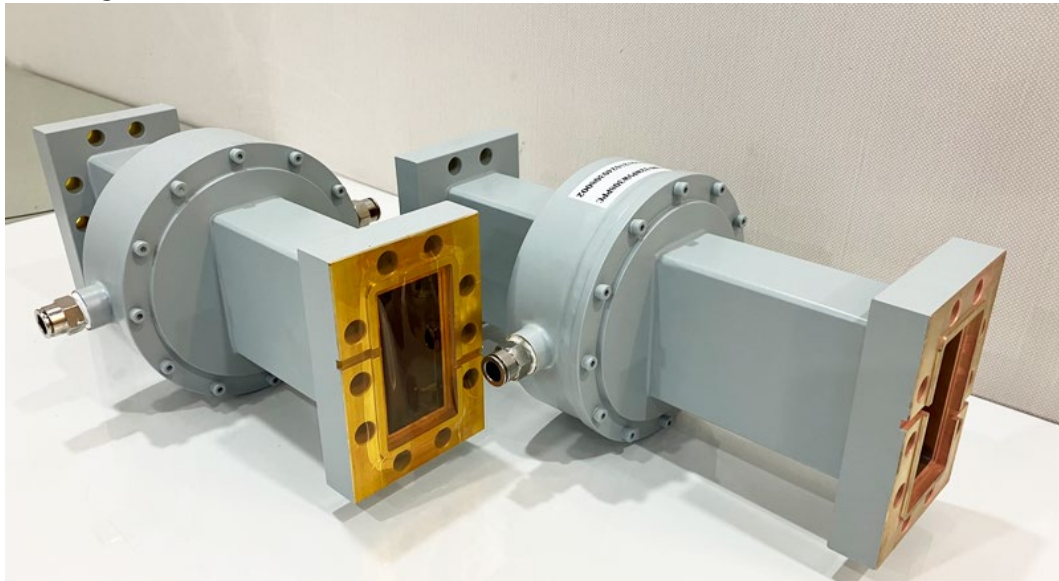
## Waveguide Pressure Vacuum Window

Dolph Microwave pressure vacuum windows provide a seal within waveguide systems while passing microwave energy freely. The maintained pressure ensures maximum performance, and the seal prevents entry of moisture, dirt, and dust.

The window allows sealing environments under vacuum (plasma application), One side negative pressure and the other side positive pressure, at high pressure (heating at elevated pressure) or to separate gases & vapours from ambient.

For optimum performance, we recommend that your microwave system be maintained under a slight positive pressure to prevent the entrance of moisture or other contaminants.

For more information, please contact us and discuss your needs with our sales engineer.

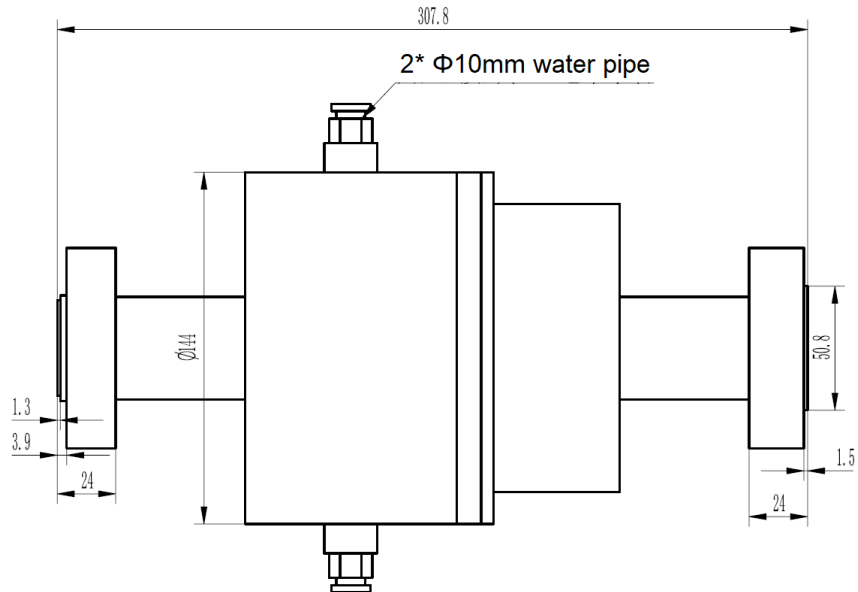


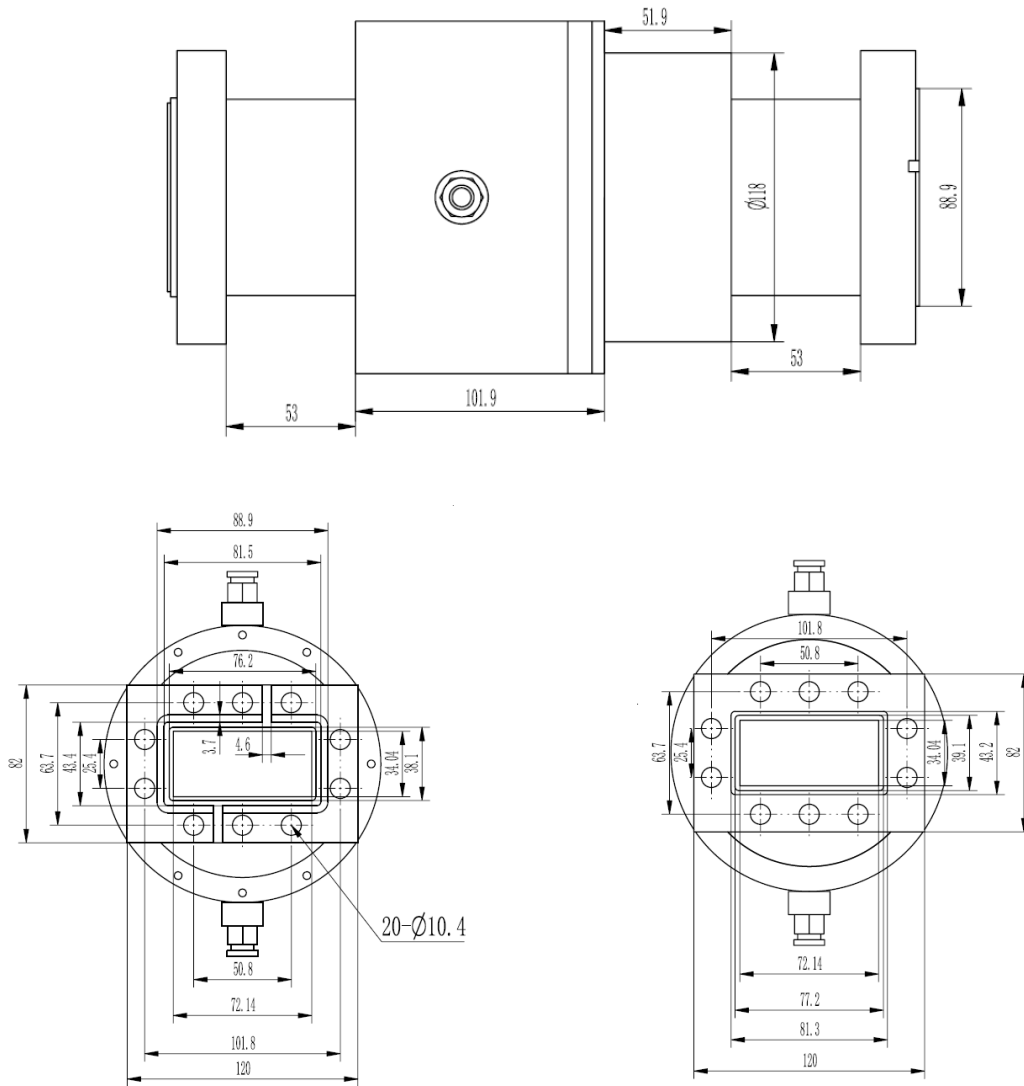
- Technical Specification

WR284 Waveguide Pressure Vacuum Window	
Electrical Specifications	
Model	DH-32WPVW308PPC
Size	WR284
Frequency Range	2998±5 MHz
Insertion Loss	0.1 dB

VSWR	1.1:1 Max
Handling Power	40 MW peak, 15 KW cw
Waveguide Flange	LIL Vacuum Flange for both sides
Window Material	Ceramic
Atmosphere	10exp-8 Torr, vacuum side 2 bar SF6, pressure side
Coolant	Water at 4 liters/minute
Flange Material	Oxygen free copper
Finish	Titanium Nitride
Temp.	400 degrees C.

● Outline Drawing (Size: mm)





● Typical performance

