

Flexible Waveguide

Dolph microwave manufactures a quality line of flexible waveguides, specially designed to meet all of your requirements. The flex-twist waveguide is made from a helically wound waveguide core and additional mechanical support is offered from a variety of protective jackets.

The Flexible Waveguide is parts of Feeder line, compared with the rigid waveguide, The Flexible Waveguide not only reduces the difficulty of connection, but also keep connection accuracy. The Rectangular Flexible Waveguide has E bend and H bend function.

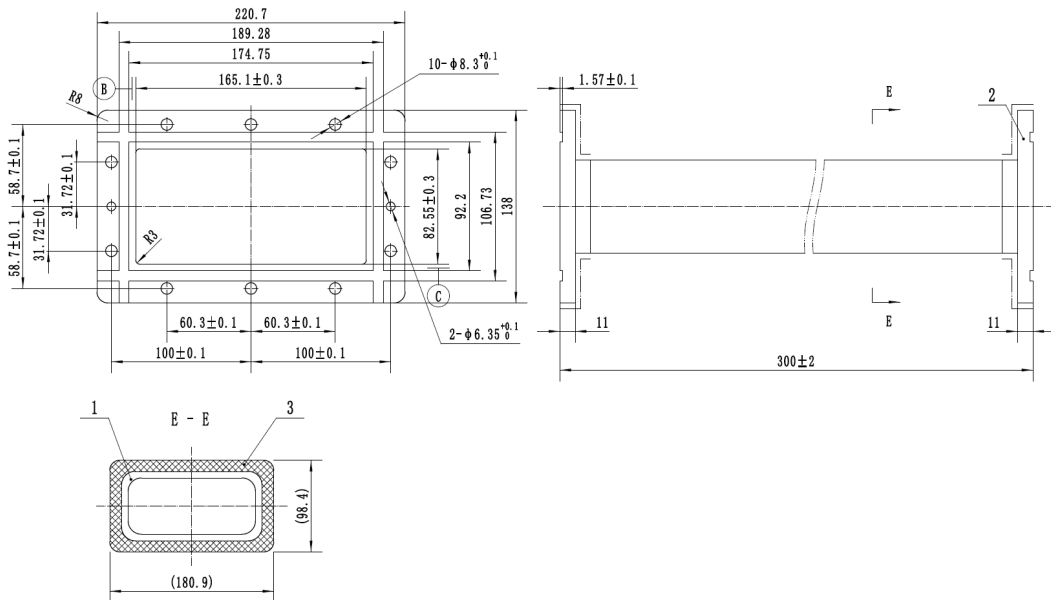


- **Technical Specification**

WR650 Flexible Waveguide	
Model	DH-14WWEL300PMC
Frequency Range	1.12-1.7 GHz
VSWR	≤1.1:1
Insertion Loss	0.035 dB
Peak Power	6.0 MW
Waveguide Type	WR650
Jacket	Silicone Rubber / Polysulfide Sealant
Conductor Material	Brass, Non-Twistable
Flex Material Finish	Silver Plate
Construction	Silver Brazed
Inside Diameter Size	165.10 mm*82.55 mm

Flange type	WR650g (Grooved), Brass Per Mil-417 B/U
Flange Face Finish	Nickel Plate
Length (L)	300 mm
Max. Pressure	3 PSIG
Operation Temp.	-30°C~ +75°C
Storage Temp.	-55°C~ +85°C

● Outline Drawing



● Typical Performance

