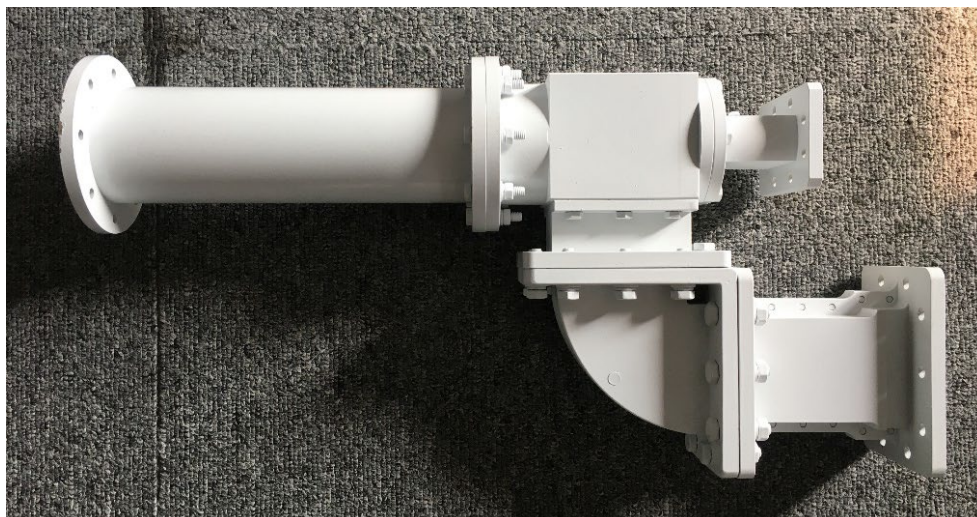


### Ext. C-Band Tx-Rx 2 Port OMT+TRF Combiner Assembly

Combiner Ext. Ku-Band RX-TX 2-Port  
 5.7 GHz to 6.75 GHz/3.4 GHz to 4.2GHz  
 Linear Pol. H-/V  
 Transmit/Receive OMT+TRF Diplexer Assembly

Model: DH-OMT+TRF-Ext.C-RT-02

Frequency Range	-Rx 3.4 GHz to 4.2 GHz -Tx 5.7 GHz to 6.75 GHz
VSWR	-Rx 1.30:1 -Tx 1.30:1
Insertion Loss	Tx: 0.2 dB MAX Rx: 0.2 dB MAX
Polarization	Linear Pol. (V&H)
Cross Pol	35 dB Min
Isolation between Ports	
Tx to Rx	min. 85 dB
Rx to Tx	min. 40 dB
Power handling	max. 2000 W CW each port
Waveguide size	Rx/Tx, R70 WR137, R40 WR229
Flanges Port 1,2	FDP 70/FDP40
Material	Al with Conductive oxidation
Finish	White Paint (standard)
Operating Temperature	-50° C to 85° C
Additional Feature	I-type rotary joint with integrated drive system are available Additional Feature for polarization control adjustment (Option)



● Outline Drawing

